

EG37 Magnetostrictive Level Transmitter Operation Manual



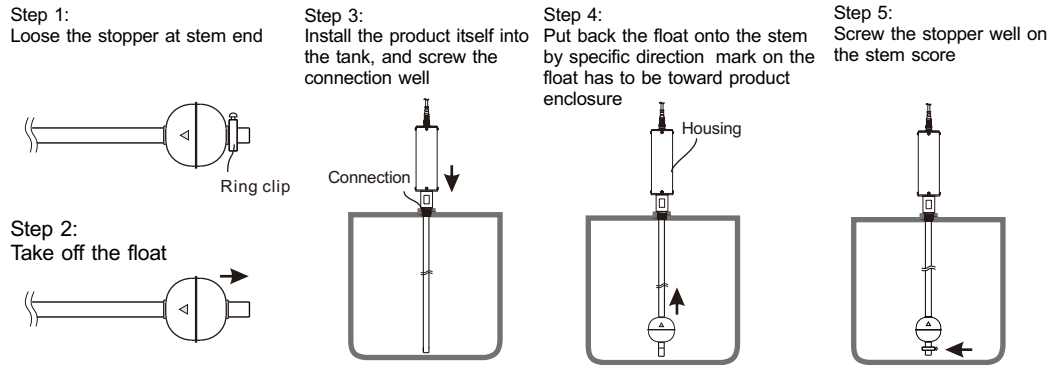
NEPSI PROOF NO.GYB101836X Ex ia IIB T3~T6

Analog:Ui=28 V, Ii=100 mA, Pi=0.7 mW, Ci=12 nF, Li=0.3 mH
 Digital:Ui=10 V, Ii=100 mA, Pi=0.25 mW, Ci=0 uF, Li=0 mH

INSTALLATION RECOMMENDATION

1. Power supply 24Vdc±20%.
2. Please do not change magnetic float to avoid effect on measurement accuracy.
3. User can install the product directly without having to take off the float, when connection hole at site is bigger than float diameter.
4. Please take off the float before installation, when connection hole at site is smaller than float diameter.
5. Please install the float by specific direction (mark on the float has to be toward the product enclosure).
6. The stopper has to be fixed well on the stem score.
7. Please do not drop the magnetic float, to avoid magnet breakage inside the float.
8. Do not pressure the product with heavy weight, to bend the stem. If the stem is bent and can not work, please send back to us for calibration.
9. Package by bubble bag or foam is necessary to ensure safety during transportation.
10. Please do not open the product enclosure to assure measurement accuracy.

INSTALLATION METHOD IF THE FLOAT HAS TO BE TAKEN OFF BEFORE INSTALLATION:



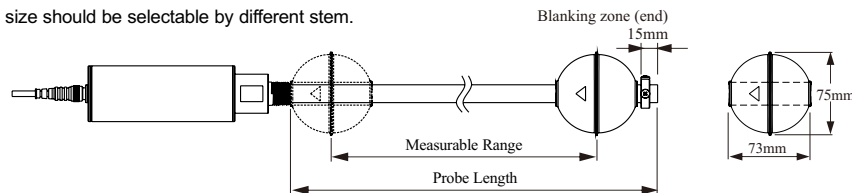
DETERMINE THE LENGTH DURING ORDERING INSTRUCTION

Please refer below diagram for actual length of stem and the measurable length of the stem:

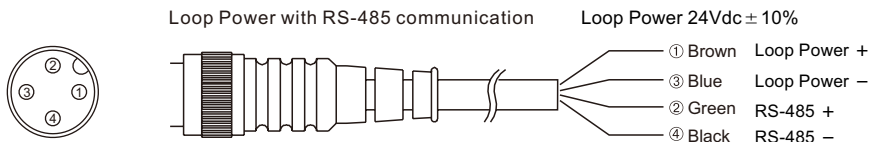
Probe length=Measuring range+(Single Float Height+15mm)

Ex: 500mm(Measurement)+(73mm(S5 Float Height)+15mm)=588mm(Probe length)

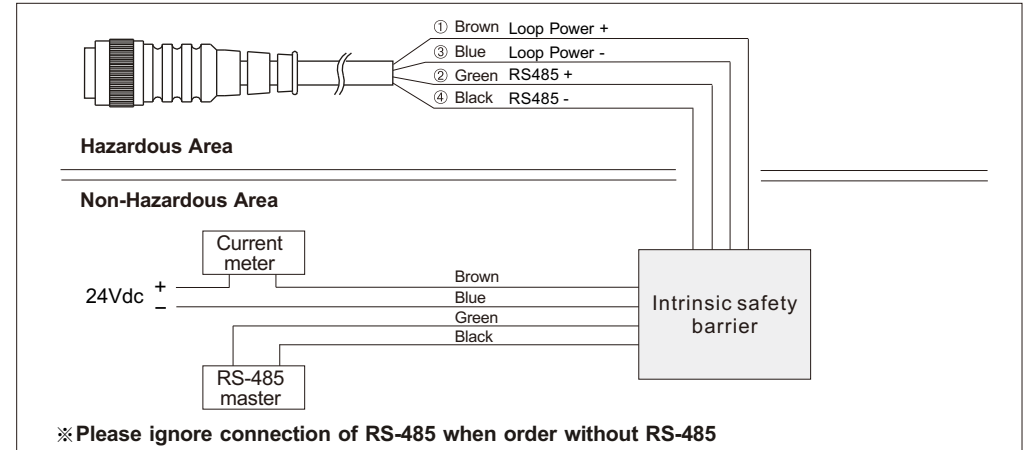
※ The float size should be selectable by different stem.



WIRING INSTRUCTION



※ Please ignore connection of RS-485 when order without RS-485



※ Please ignore connection of RS-485 when order without RS-485

INSTALLATION INSTRUCTIONS FOR EX-PROOF PRODUCTS:

1. To Operate The Product Within Explosive Hazard Environments, Must Use Explosion Proof Enclosure To Form A Explosion Proof System. And The Specification For The Enclosure Shall Comply With The Following Parameters And Read The Manual To Help With Wire Assembly.

Circuit	Max. input Ui(V)	Max. input Ii(mA)	Max. input Pi(W)	Max. parameter value inside	
				Ci(μF)	Li(μH)
Single	28	100	0.70	0.012	0.3
Communication	10	100	0.25	0	0

2. Temp Section V.s. Max. Allowable Temp. Of The Measured Object

Temp. categories	T1	T2	T3	T4	T5	T6
Max. surface temp.	≤ 450°C	≤ 300°C	≤ 200°C	≤ 135°C	≤ 100°C	≤ 85°C
Medium temp.	≤ 440°C	≤ 295°C	≤ 195°C	≤ 130°C	≤ 95°C	≤ 80°C

3. the Product Installation, Operation And Maintain Shall Follow The Product Instructions , Gb3836.13-1997 "electric Apparatus For Explosive Gas Atmospheres Part 13 : Repair And Overhaul For Explosive Gas Atmospheres" , Gb3836.15-2000 "electric Apparatus For Explosive Gas Atmosphere Part 15 : Electrical Installation In Hazardous Area (other Than Coal Mine)" , Gb50257-1996 "electric Equipment Installation Engineering Code For Construction And Acceptance Of Electric Device Within Explosion And Fire Hazard Environments"
4. customer Is Not Allowed To Replace Any Inside Units Or Parts, But Check Appearance And Explosion Label Regularly To Prevent Damage Or Loss Is Needed.

WARRANTY:

Warranty 12 months after delivery. No fee such as testing, parts and maintenance will be charged in warranty. Any flaws caused by delivery can be filed to us within 7 days given related evidence.

We will be responsible for repair or replacement.

Please send back the whole unit to us and pack well to prevent break-down during delivery.

The following will be charged:

1. Out of warranty
2. Do not follow operation instruction in manual, or over product spec as indicated in catalogue.
3. Any cause by force majeure such as flood, earthquake, typhoon etc.



FineTek Co., Ltd.

No.16, Tzuchiang St., Tucheng Industrial Park, New Taipei City 23678, Taiwan.

Tel: 886-2-22696789 Fax: 886-2-22686682

Email: info@fine-tek.com http://www.fine-tek.com

