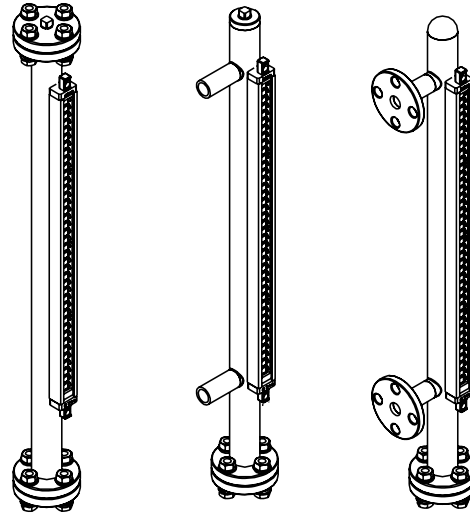


MINI BY-PASS LEVEL INDICATOR

APPLICATIONS AND FEATURES

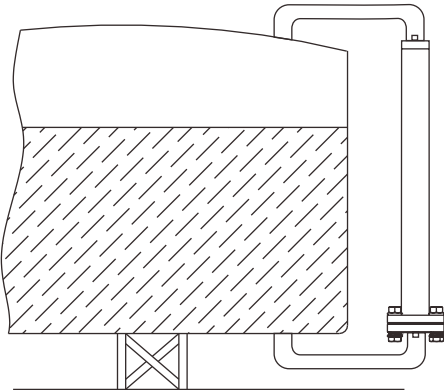
- ★ It can be easily observed from the change of the flag color.
- ★ Safer device comparing to glass type level gauge.
- ★ Compact type, easy to install.
- ★ Magnetic Switch can be installed to monitoring the high/ low level with alarm output.
- ★ Level Transducer can be opted to measure the level in 4-20mA signal output.

Applicable in various environments such as oil tanks, water tanks, steam boilers, food machines, semiconductor processing, and medical equipments.

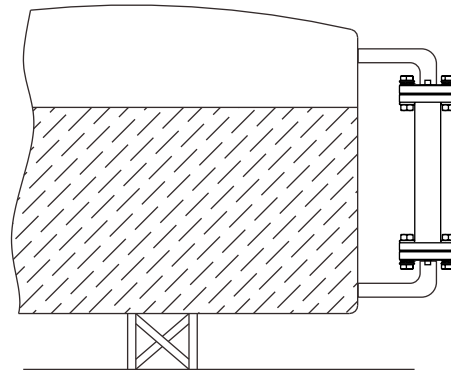


INSTALLATION EXAMPLE

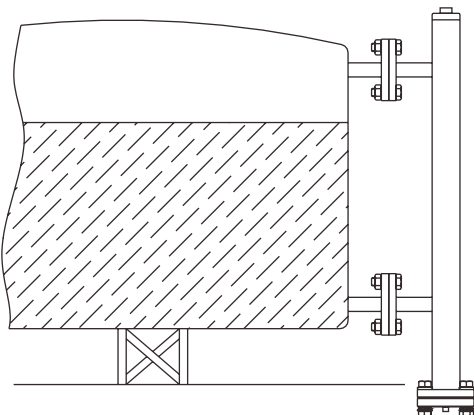
MEF□□□ B5H



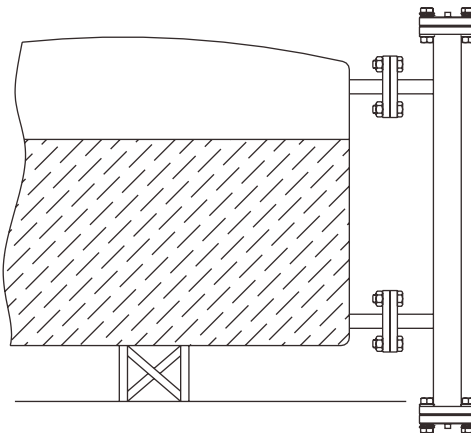
MEF□□□ C5H

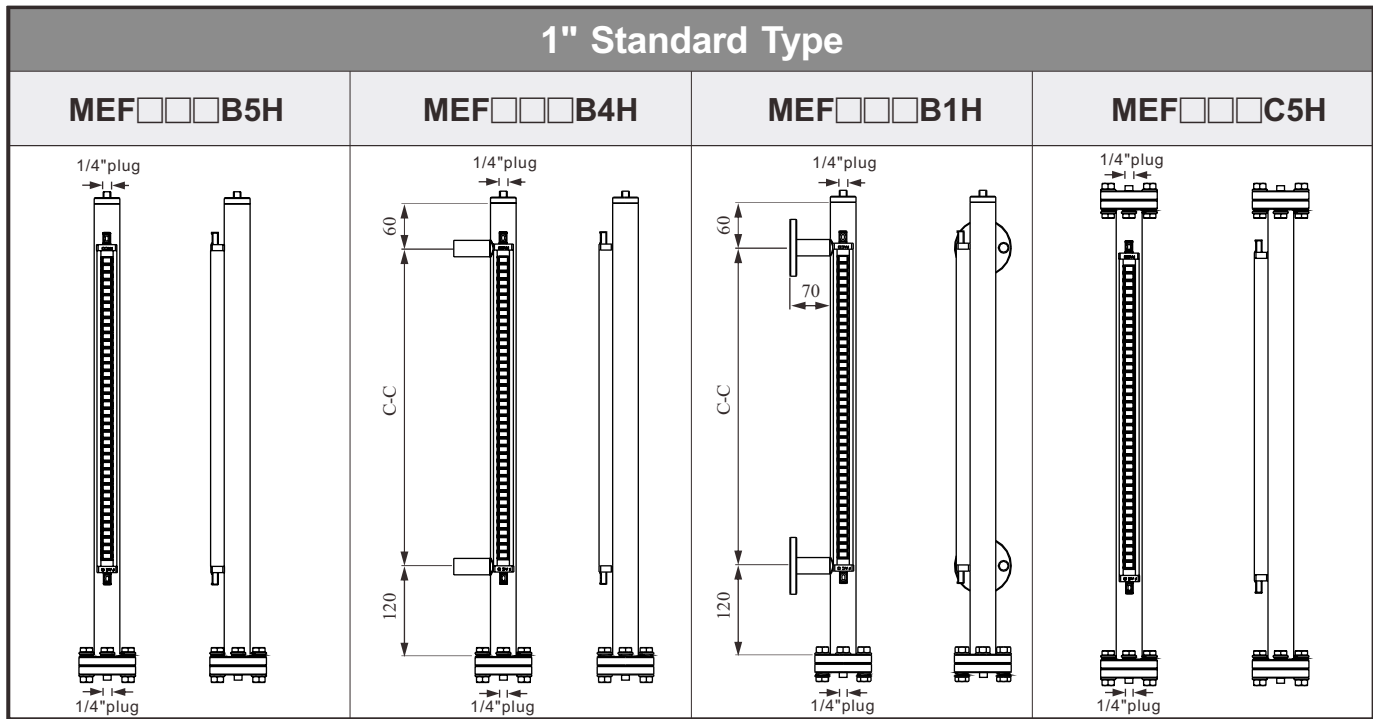


MEF□□□ B1H



MEF□□□ C1H

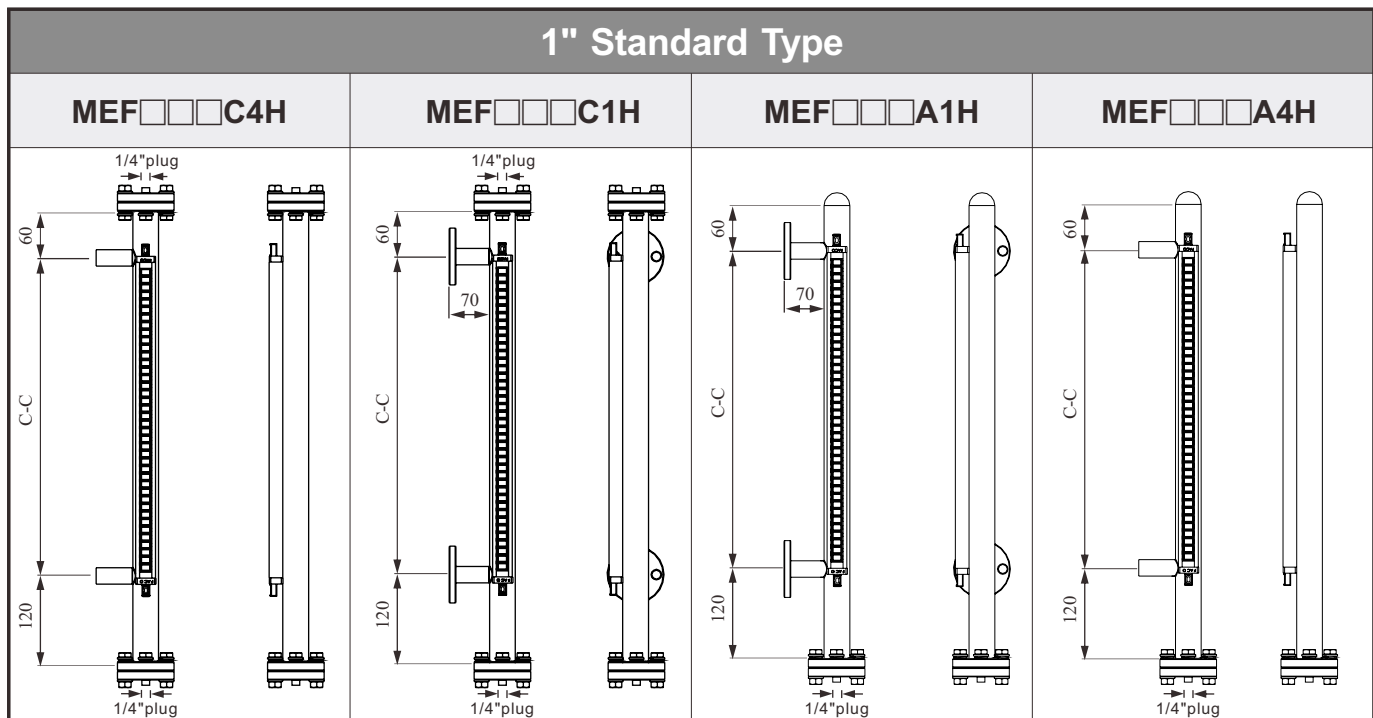




SPECIFICATIONS:

Order No.	MEF□□□B5H	MEF□□□B4H	MEF□□□B1H	MEF□□□C5H
Description				
Top End	Flat Top+1/4"PT Plug	Flat Top+1/4"PT Plug	Flat Top+1/4"PT Plug	Dual Flange+1/4"PT Plug
Bottom End	Dual Flange+1/4"PT Plug	Dual Flange+1/4"PT Plug	Dual Flange+1/4"PT Plug	Dual Flange+1/4"PT Plug
Connecting	—————	Slip Pipe	3/8" x5kg/cm ² (Flange)	—————
C-C Distance	Min. 150mm; Max. 3000mm			
Operation Pressure	10kg/cm ²			
Operation Temp.	140°C (max.200°C)			
Chamber	φ34 x 2t, SUS304 / SUS316L			
Float Type	EFB-2420, S.G.0.8			
Material	SUS304 / SUS316L			
Flag Indicator	EFB-0750			
Ruler	PM Sticker (max.100°C)			

C-C Connecting tube: 1/2"



SPECIFICATIONS:

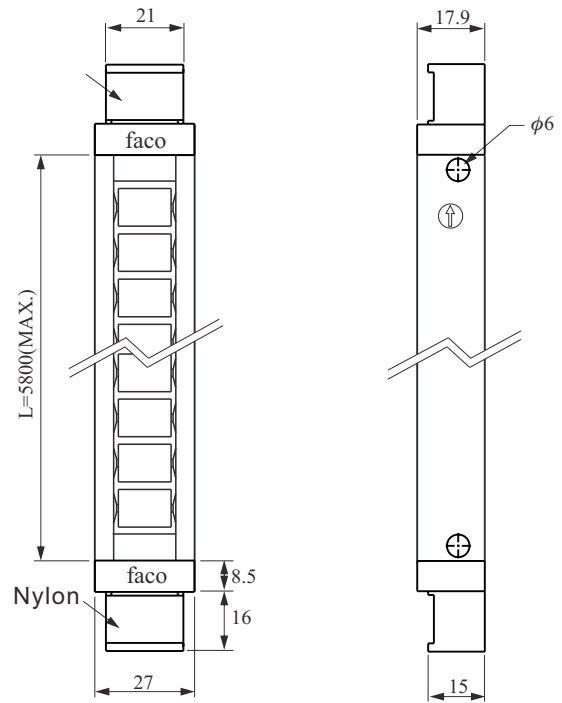
Order No.	MEF□□□C4H	MEF□□□C1H	MEF□□□A1H	MEF□□□A4H
Description				
Top End	Dual Flange+ 1/4"PT Plug	Dual Flange+ 1/4"PT Plug	Cap	Cap
Bottom End	Dual Flange+ 1/4"PT Plug	Dual Flange+ 1/4"PT Plug	Dual Flange+ 1/4"PT Plug	Dual Flange+ 1/4"PT Plug
Connecting	Slip Pipe	3/8" x5kg/cm ² (Flange)	3/8" x5kg/cm ² (Flange)	Slip Pipe
C-C Distance	Min. 150mm; Max. 3000mm			
Operation Pressure	10kg/cm ²			
Operation Temp.	140°C (max.200°C)			
Chamber	φ34 x 2t, SUS304 / SUS316L			
Float Type	EFB-2420, S.G.0.8			
Material	SUS304 / SUS316L			
Flag Indicator	EFB-0750			
Ruler	PM Sticker (max.100°C)			

C-C Connecting tube: 1/2"

FLAG DISPLAY

TYPE: EFB-0750

1. Housing material : SUS 304
2. Flag Material : Engineering plastic
3. Flag Color : Red / White; Green / White
4. Cover Material : Engineering plastics
5. Operation Temp. : -20~140°C
6. Standard Unit : 50mm



ACCESSORY

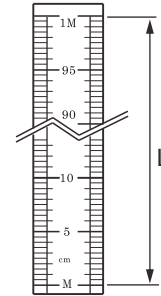
RULER

TYPE: EFA-2150 (unit: cm)

TYPE: EFA-2160 (unit: inch)

1. Material : PM Sticker
2. Color : Silver in Black Graduation
3. Operation Temp. : -20~100°C

EFA-2150

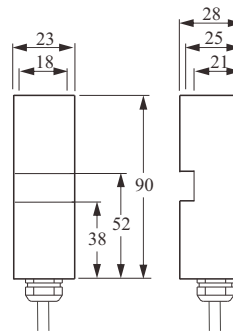


MAGNETIC SWITCH

TYPE: EFB-1220 / 1230 [ECONOMY TYPE]

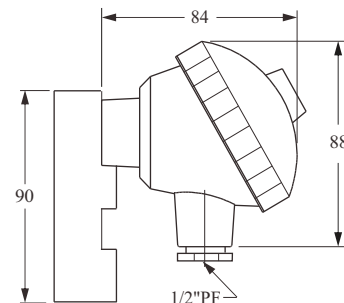
1. Contact Element : Reed Switch
2. Switch Form : EFB-1220, SPDT Hold type
EFB-1230, SPDT Normal type
3. Contact Capacity : 1A /30W / 200Vdc /240Vac
4. Housing Material : Aluminum
5. Operation Temp. : -20~200°C
6. Protection : IP67
7. Cable Length : 1M (Silicon Cable)
8. Wire Color : Black-com;Brown-NC;Blue-NO;
Yellow-ground
Green-gournd

EFB-12□□



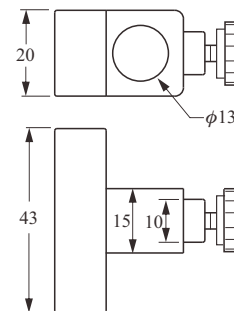
TYPE: EFB-1250 [STANDARD TYPE]

1. Contact Element : Reed Switch
2. Switch Form : EFB-1250, SPDT Hold type
3. Contact Capacity : 1A /30W / 200Vdc /240Vac
4. Housing Material : Aluminum
5. Operation Temp. : -20~150°C
6. Protection : IP65

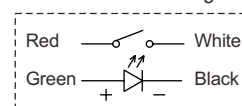


TYPE: EFB-14□□ [ADJUSTABLE TYPE]

1. Contact Element : Reed Switch
2. Switch Form : EFB-1400, EFB-1440 SPST NO Hold type
EFB-1410, SPST NO Normal type
EFB-1420, SPDT Hold type
EFB-1430, SPDT Normal type
EFB-1450, SPST NO Hold type (LED display)
3. Contact Capacity : 1A /30W / 200Vdc /240Vac
4. Housing Material : PP
5. Operation Temp. : -20~140°C
6. Protection : IP67
7. Cable Length : 2M (PVC Cable)
8. Contact wire color code:
Red: COM, While: NO (EFB-1400/ 1410 / 1450)
Black: COM, Red: NC, White: NO (EFB-1420 / 1430)



EFB-1450 Wiring

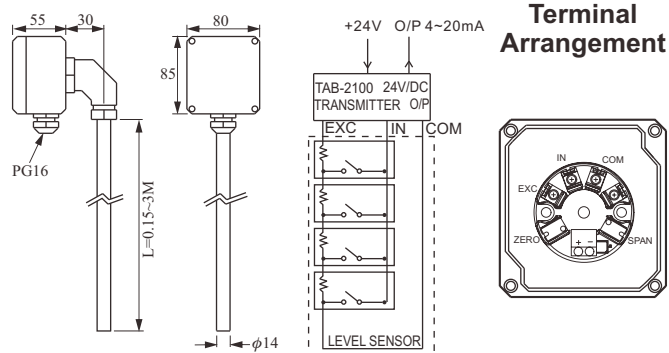


FLOAT/ CONTINUOUS LEVEL TRANSMITTER

CONTINUOUS LEVEL TRANSMITTER

TYPE: EFB-3920

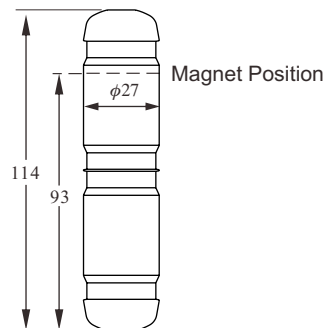
1. Housing Material : PC(IP65) 85(W)x80(H)x55(D)
2. Tube Material : $\phi 14$ mm, SUS 304 或 SUS 316
3. Resolution : ± 6.35 mm
4. Output : 4~20mA two-wire
5. Power : 12~32Vdc
6. Measuring Range : 0.15~3M
7. Ambient Temp. : -10~80°C
8. Accuracy : $\pm 0.1\%$



METAL FLOAT


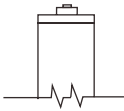
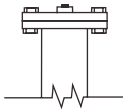
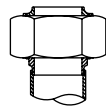
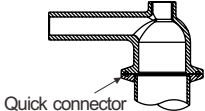
TYPE: EFB-2420

1. Operating Temp. : 150°C
2. Operating Pressure : 10kg/cm²
3. Specific Gravity : 0.8(S.G.)
4. Floatation Line : 96 mm
5. Material : SUS316
6. Dimension : $\phi 27 \times 114$

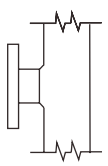
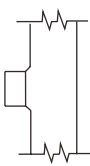
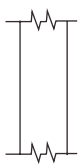


ORDER INFORMATION

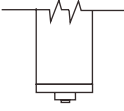
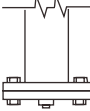
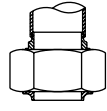
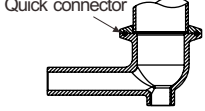
TOP END TYPE

A	B	C	V	Z
Cap	Flat Top+plug	Dual Flange +plug	Welding Union	Angle Pipe With Clamp
				

CONNECTION

1	4	5
Flange	Slip Pipe	N/A
		

BOTTOM END TYPE

B	H	V	Z
Flat Top+plug	Dual Flange +plug	Welding Union	Angle Pipe With Clamp
			

HOW TO MAKE YOUR ORDER

MEF **Y** **1** **1** **B** **5** **H** **1** **(J 3)** - **0 5** ()

Float type _____

Y : EFB-2420 (SUS316)---1" (OD34)

Material _____

1: SUS304 -- 140°C 8: SUS304 -- 200°C
 3: SUS316L -- 140°C 9: SUS316L -- 200°C

Flag Display _____

1: EFB - 0750(150°C) -: None

End / Connection type _____

Top end Type	Connection	Bottom end Type
A: Cap B: Flat top+Plug C: Dual flange+Plug V: Welding Union Z: Angle pipi with clamp	1: Flange 4: Slip pipe 5: N/A	B: Flat top+Plug H: Dual flange+Plug V: Welding Union Z: Angle pipi with clamp

* Welding Union Type 1-1/4"

Operating Pressure range _____

1: -1~ 10 kg/cm²

Magnetic Switch Quantity 1~ 4 _____

A: EFB -1220 G: EFB -1400 J: EFB -1430
 B: EFB -1230 H: EFB -1410 K: EFB -1450
 C: EFB -1250 I: EFB -1420 L: EFB -1440

*Omit these two codes if no magnetic switch required.

Length (Unit: m) _____

05: below 0.5m 10: 0.5~1m 15: 1~1.5m . . . *0.5m per Unit (Max.length: 3m)

Transducer _____

G: EFB -3920 Continuous Level Transmitter *Omit this code if no transducer required.

Ruler _____

M: Sticker *Omit this code if no ruler required. *Aralable for customized unit

* Level Transmitter and magnetic switch can't be installed together on the Mini by-pass level indicator
 * Special term for LR Marine approval: "Environmental test has been carried out but it is not applicable to use in the ship and offshore that type of screw fittings is used for pipe exceeding 51mm outer diameter".

www.aplusfine.com

08-MEF-B0-EP, 05/01/2012



Aplus Finetek Sensor, Inc.

CA: 355 S. Lemon Ave, Suite D, Walnut, CA 91789

Cell: 1 310 227 5338

Tel : 1 909 598 2488; 1 909 598 0688

Fax : 1 909 598 3188

Email: peter.wu@aplusfine.com