

SC280□ Series Mini Tuning Fork Vibrating Switch Operation Manual

Description

SC280□ tuning fork switch uses two wires power supply with 20~250、50/60 Hz Vac / Vdc. It can be utilized to detect medium in applications with S.G.>0.07 g/cm³ and viscosity between 1~10000 cSt. It also has compact size, which is suitable for applications with limited space. SC280□ offers 3 options of plug connections: DIN 43650、Cable Connector、M12x1 Connector. Furthermore, the fork can be polished(Ra) to meet the requirements for particular industries like pharmaceutical and food processing. SC280□ is equipped with magnetic test function. It can examine the functioning of the switch after the switch is installed.

Features

- ◎ Compact size, suitable for limited space.
- ◎ Wide range of power supply from 20~250 Vac/Vdc.
- ◎ 3 options of plug connections.
- ◎ Fork polished to users' standard for industries like pharmaceutical and food processing.
- ◎ Magnetic test to examine proper functioning of the switch.

1. Specification

Housing	Housing material	SUS 304
	Protection	IP 65 / IP67
	Torque on the hexagon	80 Nm
	Plug connection	DIN 43650
Cable Connector		
M12x1 Connector		
Process connection	Connection	3/4" more
	Material	SUS304, SUS316, SUS316L
Tuning fork	Material	SUS304, SUS316, SUS316L
	Length	Min. 10 mm, Max. 500 mA
	Surface quality	Option
Weight	Total weight	Approx. 0.4 kg
	Electronics	
Electronics	Power supply	50/60 Hz, 20~250 Vac/Vdc
	Output	Contactless electronic switch
	Internal current requirement	Approx. 3 mA
	Load current	Min. 10 mA, Max. 500 mA
	Vibrating frequency	Approx. 1KHz ± 10%
	Time delay	1~3 s since the measured material contacted
	Fail-safe	1~3 s react to the measured material fall off
	Status	Min./Max. detecting mode by connection
		Green LED-Power indicants
	Switching point	Red LED-Switching status indicants
		Vertical orientation: 12 ± 3mm from top of fork
Magnetic testing	Horizontal orientation: 8 ± 1mm from fork centre	
	Place magnet nearby the testing spot to perform	
Protection class	III	
Ambient conditions	Ambient temperature on the housing	-40~+80°C
	Storage and transport temperature	-40~+85°C
	Operating temperature	-40~+100°C (150°C option)
	Ambient damp	20%~80% RH non-condensed
	Operating pressure	Max. 40 Bar
Product	Viscosity	1~10000 cSt
	Density	Solid: ≥ 0.07g/cm ³ Liquid: ≥ 0.7g/cm ³

Recommended relay's type for different power supply.

Brand	Model	Voltage	Current
Omron	MY2N-J	24Vdc	46
	MY2N-J	24Vdc	10
	MY2N-J	100/110Vac	11
	MKS2P	110Vac	21
	MK2PN-I	220Vac	11
Finder	62.33.8.230.0040	230Vac	10.5
	62.33.8.230.0040	230Vac	14
Panasonic	HP Service	220Vac	9.5
	HG Service	220Vac	14

2. Appearance

Types of SC280□ series as shown below:

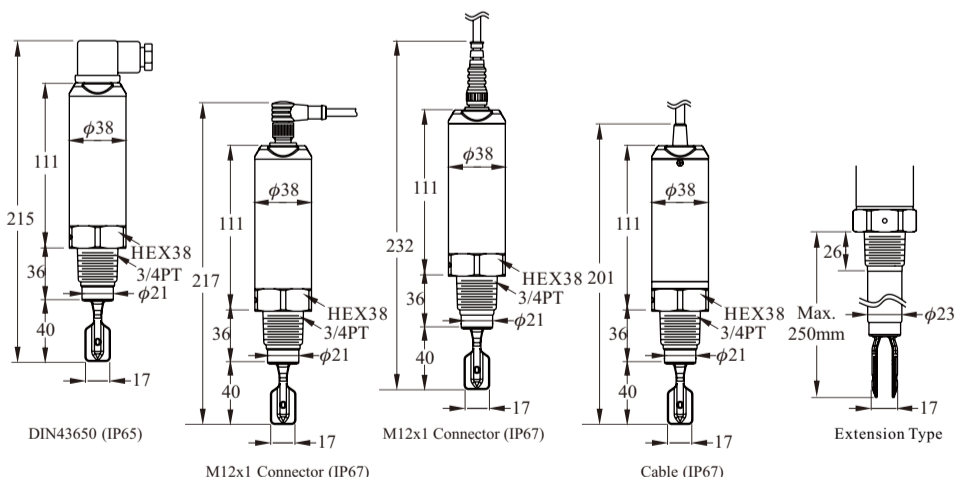


Figure 1 sizes and plug connections

3. Wiring

Power supply is AC/DC sharing. Two wires are connected with relay output(L+/N-). Please see Figure 2.

- ◎ **Low(Min.) Mode:** number 1 pin(Brown) is connected to N-. No.2 pin(Black) is connected to L+ with Relay. No.4 pin(Yellow Green) goes to ground.
- ◎ **High(Max.) mode:** No. 1 pin(Brown) is connected to N-. No.3 is connected to No. 2 pin(Black) to L+ with Relay. No.4 pin(Yellow Green) goes to ground.

⚠ Always connect in series with a load!

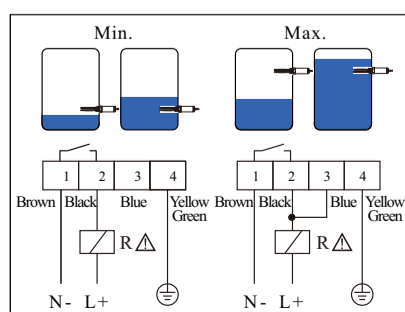
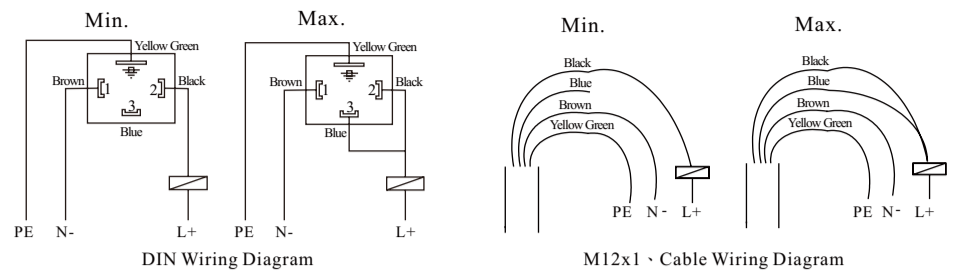


Figure 2 Two wires wiring



4. Fork Sensing Spot

SC280□ fork sensing spot is shown as Figure 3 below.

Considering testing medium is water(S.G.=1 g/cm³), sensing spot is at the fillister about 23mm from the tip. If testing medium has S.G. lower than 1g/cm³, sensing spot would be above the fillister. In contrast, sensing spot will be below the fillister.

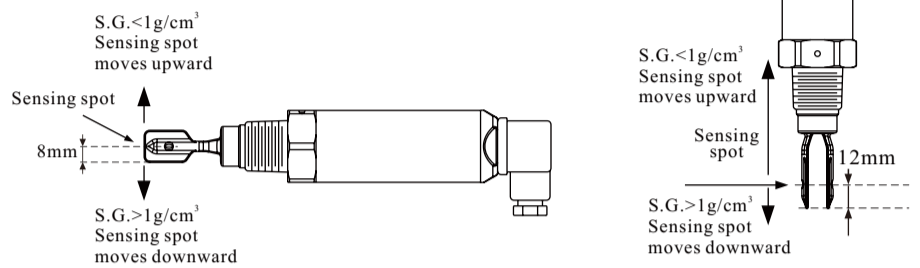


Figure 3 Fork Sensing Spot

5. Output Status

The power supply of SC280□ series is 2-wire wiring. Relay output is connected in series with power input (L+/N-). 2 modes Min/Max are available based on the pins connected. When powered 20-250, 50/60 Hz Vac/Vdc, the green power indicator(LED) on top of the housing will be on. Please refer to the following for details.

- ◎ **Low(Min.) Mode:** Tuning fork switch will be actuated 3 seconds after the power is on. Relay is NC and red LED indication is off. When tuning fork is covered by testing medium, vibration stops and relay becomes NO. Red LED indication is on.
- ◎ **High(Max.) Mode:** Tuning fork switch will be actuated 3 seconds after the power is on. Relay is NO and red LED indication is on. When tuning fork is covered by testing medium, vibration stops and relay becomes NC. Red LED indication is on.

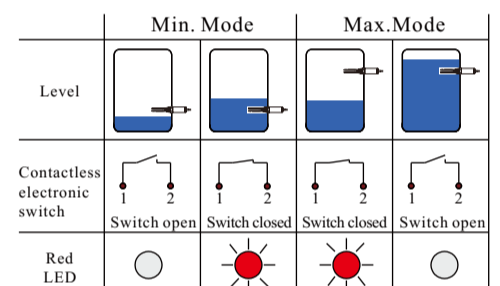


Figure 4 Min./Max. Mode

6. Magnetic Test

After the switch is installed and powered, magnetic switch can be performed accordingly. Output status will switch from NC. to NO. or NO to NC. and red LED would switch on or off while fork continues to vibrate. When magnet is pulled away from the housing, red LED would return as default while fork continues to vibrate. The purpose of testing is to confirm the wiring and functioning are correct.

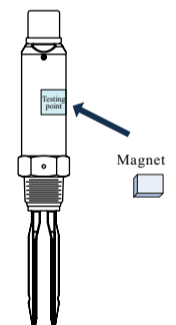
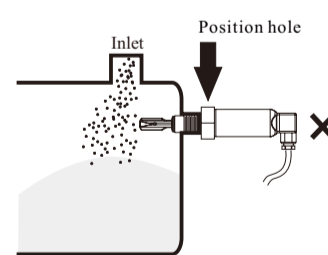


Figure 5 Magnetic Test Diagram

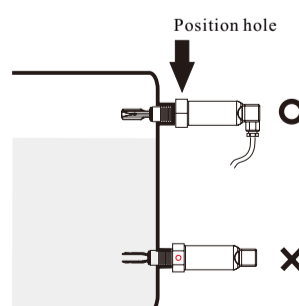
7. Installation

Horizontal Installation:

1. Can be applied in viscosity, powder, and liquid. Do not install near substance inlet.

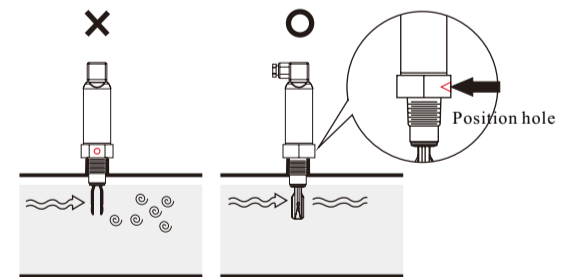


2. When installing the product, The position hole must be upward direction. If not, incorrect installation could be damage the product.

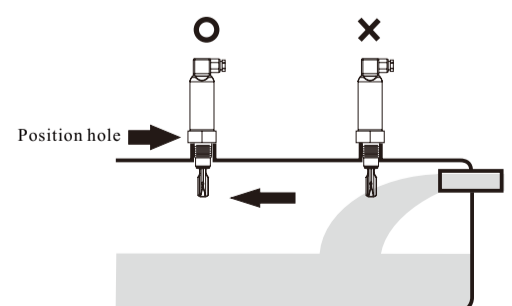


Vertical Installation:

1. Opening of the two fork blades is to be as the flow direction.



2. Do not install near substance inlet.



Aplus Fine
http://www.aplusfine.com

Aplus Finetek Sensor, Inc.

California, U.S.
355 S. Lemon Ave, Suite D, Walnut, CA 91789; Tel : 1 909 598 2488
Illinois, U.S.
1741 Industrial Drive, Unit #3, Sterling, IL 61081; Tel : 815-632-3132
Email: info@applusfine.com